

Wood Boring Bits—Contractor Series

| | |
|--|-----|
| Wood Boring Bits Product Knowledge | 94 |
| Around-the-Corner® | 95 |
| Wood Eater® | 95 |
| Plumbit™ | 95 |
| Plumbit Accessories | 96 |
| Plumbit Kits | 96 |
| Plumbit/Auger Bit Kit | 97 |
| Auger Bits | 97 |
| Dual-Auger Bits | 97 |
| Auger Bits | 97 |
| Power Ship Auger Bits | 98 |
| Anailator® | 98 |
| UltraBore™ Spade Bits | 99 |
| 6" Length Bits | 99 |
| 6" Bulk Bits | 100 |
| 16" Extra Length Bit | 100 |
| Sets | 100 |
| Accessories | 100 |
| Bell Hanger Drill Bits | 100 |

What You Should Know About Wood Boring Bits

Along with the innovative bits described below, Magna Professional Tools also offers these standard wood boring bits:

Spade Bits – good all-purpose bits

for high speed drilling when a smooth finish is not critical. They are inexpensive and easy to resharpen.

Bell Hanger Bits – designed with a special hole in the flute for pulling

wires easily through the work.

Ship Auger Bits – a center point speeds penetration and wide fluting clears chips quickly. Especially suited for plumbers and electricians.

Innovations that work harder from Magna Professional Tools™

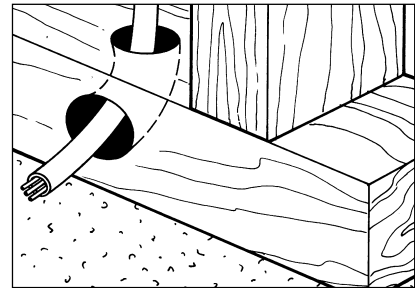
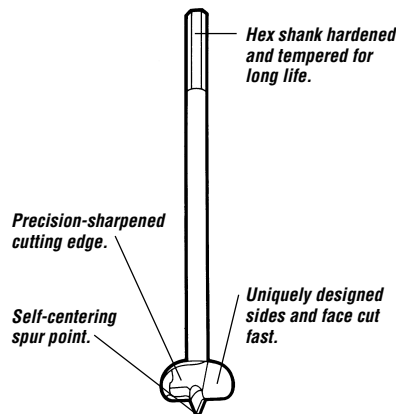
AROUND-THE-CORNER® BIT — Bores curved holes to solve unique drilling problems

Ideal for:

- Drilling curved access holes for wiring when a controlled exit point is needed.
- Drilling in tight spots when it's impossible to enter the workpiece at the desired angle.
- Reaming out holes for perfect alignment and fit.

Solves unique drilling problems:

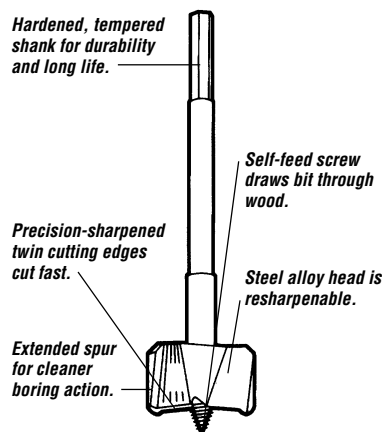
- Running wire around a corner into another room.
- Boring through sole plates for angling wire between floors.
- Eliminates blind pockets and sharp corners in wiring jobs.



Eliminates the need for drilling two holes.

WOOD EATER® — Makes spade bits obsolete

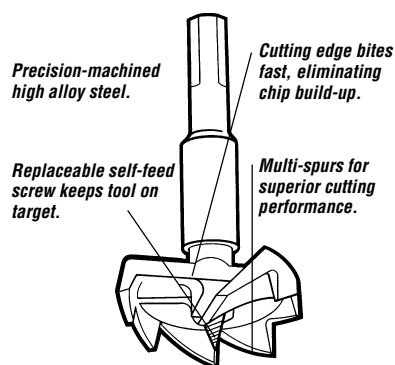
- Cuts 3 times faster, lasts 7 times longer than a spade bit.
- Does the work of an auger bit at half the cost.
- Ideal for overhead work, rewiring, remodeling and more.
- Perfect for plumbers, electricians and professional contractors.
- Available in popular 5-piece set.



Cuts 3x faster, lasts 7x longer than a spade bit. Does the work of an auger bit at half the cost.

PLUMBIT™ — Fastest and toughest bit for big hole drilling

- Unique heat treatment makes Plumbit tougher yet less brittle for longer tool life and superior performance.
- Stays sharper longer, so it's easier on tool and operator.
- Special design helps eliminate scrap lock-up.
- Cuts fast through knots and nails.
- Harder teeth, greater shank impact resistance means improved durability.
- Comes pre-assembled with bit plus 4" extension.



Also available in convenient kits.

To order **CLICK HERE**

Around-The-Corner®

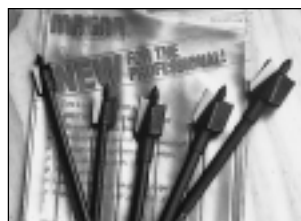


Features:

- Great for drilling curved holes for wiring when a controlled exit point is needed.
- Self-centering spur point helps guide bit.
- Uniquely designed sides and face cut curved holes to solve unique drilling problems.
- Precision-sharpened cutting edge leaves smooth holes with no sharp corners.
- Hardened and tempered hex shank means long life.

| Item No. | Description | Shank Size | OAL | Recommended RPM in Softwood | Recommended RPM in Hardwood | Standard Shipping Pack |
|----------|-------------|------------|-------|-----------------------------|-----------------------------|------------------------|
| 47440 | 7/8 | 1/4 Hex | 6 1/4 | 650-1000 | 600-850 | 1 |
| 47442 | 1 1/8 | 1/4 Hex | 6 1/4 | 650-1000 | 600-850 | 1 |

Wood Eater®



*5-Piece Set, #47449

Features:

- Ideal for overhead work, rewiring, remodeling, running conduit and pipe and more.
- Self-feed screw draws bit through wood.
- Extended spur for cleaner boring action.
- Steel alloy head is resharpenable.
- Precision-sharpened twin cutting edges cut fast.
- Hardened, tempered shank for durability and long life.

| Item No. | Description | Shank Size | Length | Recommended RPM in Softwood | Recommended RPM in Hardwood | Standard Shipping Pack |
|----------|-----------------------------------|------------|--------|-----------------------------|-----------------------------|------------------------|
| 47430* | 1/2 | 1/4 Hex | 6 | 1000 | 700 | 1 |
| 47431* | 5/8 | 1/4 Hex | 6 | 1000 | 700 | 1 |
| 47432* | 3/4 | 5/16 Hex | 6 | 850 | 600 | 1 |
| 47433* | 7/8 | 5/16 Hex | 6 | 850 | 600 | 1 |
| 47434* | 1 | 5/16 Hex | 6 | 850 | 600 | 1 |
| 47435 | 1 1/8 | 5/16 Hex | 6 | 850 | 600 | 1 |
| 47436 | 1 1/4 | 5/16 Hex | 6 | 850 | 600 | 1 |
| 47437 | 1 3/8 | 5/16 Hex | 6 | 850 | 600 | 1 |
| 47438 | 1 1/2 | 5/16 Hex | 6 | 850 | 600 | 1 |
| 47449 | 5 pc. set: 1/2, 5/8, 3/4, 7/8, 1" | | | | | 1 |
| 47450 | Extension 18" OAL, 5/16 Hex. | | | | | 1 |

Wood Boring Bits

Plumbit®



Applications:

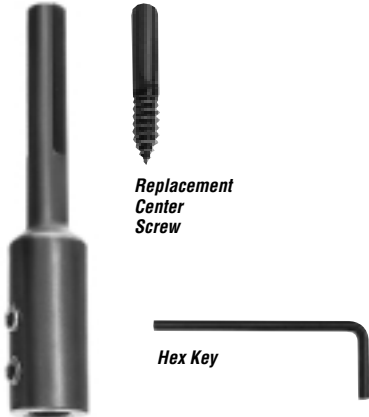
- Perfect for the plumbers, electricians, and other tradesman who need clean-cutting performance in boring holes for running pipe and conduit.

Features:

- Cuts faster than a hole saw through wood framing – even through nails and wood knots.
- Replaceable self feed screw keeps the tool on target.
- Cutting Edge bites quickly and deeply – without slowdown from chip build-up.
- Equipped with a fine center screw for hardwoods, a coarse center screw for softwoods, and a wrench for easy changeovers.
- Individually packed in corrugated boxes.

Plumbit®

| Item No. | Diameter Inches | Overall Length | Shank Size Inches/Type | Maximum RPM | Standard Shipping Pack |
|----------|-----------------|----------------|------------------------|-------------|------------------------|
| 42231 | 1 | 5 7/8 | 7/16 Hex | 1000 | 1 |
| 42232 | 1 1/8 | 6 | 7/16 Hex | 1000 | 1 |
| 42233 | 1 1/4 | 5 7/8 | 7/16 Hex | 1000 | 1 |
| 42234 | 1 3/8 | 6 | 7/16 Hex | 500 | 1 |
| 42235 | 1 1/2 | 5 3/4 | 7/16 Hex | 300 | 1 |
| 42236 | 1 3/4 | 5 7/8 | 7/16 Hex | 600 | 1 |
| 42229 | 2 | 6 3/16 | 7/16 Hex | 600 | 1 |
| 42237 | 2 1/8 | 5 7/8 | 7/16 Hex | 500 | 1 |
| 42238 | 2 1/4 | 5 7/8 | 7/16 Hex | 500 | 1 |
| 42239 | 2 9/16 | 6 1/8 | 7/16 Hex | 400 | 1 |
| 42230 | 3 | 5 3/4 | 1/2 Rd | 350 | 1 |
| 42240 | 3 5/8 | 5 3/4 | 1/2 Rd | 300 | 1 |
| 42168 | 4 5/8 | 5 3/4 | 1/2 Rd | 250 | 1 |

To order [CLICK HERE](#)

**Replacement
Center
Screw**
Hex Key
**One Piece
Extension**
Wood Boring Bits


Wood Boring Bits – Contractor Series

Plumbit Accessories

| Item No. | Accessory | Size (Inches)/ Description | Standard Shipping Pack |
|----------|------------------------|---|------------------------------|
| 42540 | Extension | 4" long × 7/16 Hex (1 piece for 7/16 Sh) | 1 |
| 44083 | Extension | 9" long × 7/16 Hex (1 piece for 7/16 Sh) | 1 |
| 44081 | Extension | 12" long × 7/16 Hex (1 piece for 7/16 Sh) | 1 |
| 44082 | Extension | 18" long × 7/16 Hex (1 piece for 7/16 Sh) | 1 |
| 44080 | Extension | 24" long × 7/16 Hex (1 piece for 7/16 Sh) | 1 |
| 42411 | Replacement Ctr. Screw | 1/4 × 1 1/2 Coarse | 1 |
| 42722 | Replacement Ctr. Screw | 1/4 × 1 1/2 Fine | 1 |
| 43945 | Replacement Ctr. Screw | 3/8 × 2 for large Plumbits, 3 5/8 and 4 5/8 | 1 |
| 42410 | Set Screw | 1/4-20 × 1/4 L | 1 |
| 42409 | Hex Key | 1/8 | 1 |

Plumbit Kit

- Packaged in a sturdy, plastic molded case with handle.

| Item No. | No. of Pieces | Plumbits/Access. Included | Standard Shipping Pack |
|----------|------------------|--|------------------------------|
| 42243 | 8 | 42234 – 1 3/8 42235 – 1 1/2 42237 – 2 1/8 42239 – 2 9/16 42411 – Repl. Center Screw, Coarse 42722 – Repl. Center Screw, Fine 42409 – (2) 1/8" Hex Key | 1 |
| 42244 | 11 | 42232 – 1 1/8 42233 – 1 1/4 42234 – 1 3/8 42235 – 1 1/2 42236 – 1 3/4 42237 – 2 1/8 42239 – 2 9/16 42411 – Repl. Center Screw, Coarse 42722 – Repl. Center Screw, Fine 42409 – (2) 1/8" Hex Key | 1 |

To order **CLICK HERE**



Plumbit Kit/Auger Bit Kit

| Item No. | No. of Pieces | Plumbits/Auger Bits Included | Standard Shipping Pack |
|----------|---------------|---|------------------------|
| 42245 | 11 | Plumbits: 42236 – 1 ³ / ₄ 42237 – 2 ¹ / ₈ 42239 – 2 ⁹ / ₁₆ 44083 – 9" Ext. 42411 – Repl. Center Screw, Coarse 42722 – Repl. Center Screw, Fine 42409 – 1/8" Hex Key Auger Bits: 47011 – 7/8 47014 – 1 ¹ / ₈ 47015 – 1 ¹ / ₄ 47017 – 1 ¹ / ₂ | 1 |

Auger Bits



Dual-Auger Bits

- For use with electric drills and hand braces.
- Designed to fit 3/8" shank drills.
- 7¹/₂" OAL and coarse point for fast boring tough up to three studs.

| Item No. | Diameter Inches | Shank Diameter Inches | Overall Length Inches | Twist Length Inches | Standard Shipping Pack |
|----------|-----------------|-----------------------|-------------------------------|---------------------|------------------------|
| 47001 | 1/4 | 3/16 | 7 ⁷ / ₈ | 5 | 1 |
| 47002 | 5/16 | 1/4 | 7 ⁷ / ₈ | 5 | 1 |
| 47003 | 3/8 | 5/16 | 7 ⁷ / ₈ | 5 | 1 |
| 47004 | 7/16 | 5/16 | 7 ⁷ / ₈ | 5 | 1 |
| 47005 | 1/2 | 5/16 | 7 ⁷ / ₈ | 5 | 1 |
| 47006 | 9/16 | 5/16 | 7 ⁷ / ₈ | 5 | 1 |
| 47007 | 5/8 | 5/16 | 7 ⁷ / ₈ | 5 | 1 |
| 47008 | 11/16 | 5/16 | 7 ⁷ / ₈ | 5 | 1 |
| 47009 | 3/4 | 5/16 | 7 ⁷ / ₈ | 5 | 1 |
| 47010 | 13/16 | 5/16 | 7 ⁷ / ₈ | 5 | 1 |
| 47011 | 7/8 | 5/16 | 7 ⁷ / ₈ | 5 | 1 |
| 47012 | 15/16 | 5/16 | 7 ⁷ / ₈ | 5 | 1 |
| 47013 | 1 | 5/16 | 7 ⁷ / ₈ | 5 | 1 |

Auger Bits

- 7¹/₂" OAL and coarse point for fast boring through up to three studs in all woods.
- Fits 1/2" or larger electric drills.

| Item No. | Diameter Inches | Shank Diameter Inches | Overall Length Inches | Twist Length Inches | Standard Shipping Pack |
|----------|-------------------------------|-----------------------|-------------------------------|---------------------|------------------------|
| 47014 | 1 ¹ / ₈ | 7/16 | 7 ⁷ / ₈ | 5 | 1 |
| 47015 | 1 ¹ / ₄ | 7/16 | 7 ⁷ / ₈ | 5 | 1 |
| 47016 | 1 ³ / ₈ | 7/16 | 7 ⁷ / ₈ | 5 | 1 |
| 47017 | 1 ¹ / ₂ | 7/16 | 7 ⁷ / ₈ | 5 | 1 |

To order [CLICK HERE](#)

Wood Boring Bits – Contractor Series

Power Ship Auger Bits

- Designed for deep boring.
- Well-suited for use where small nails or other foreign materials may be present.
- Features hollow center twist for fast, continuous chip flow
- Resharpenable single-cutter head.

| Item No. | Diameter Inches | Shank | Overall Length Inches | Twist Length Inches | Standard Shipping Pack |
|----------|-----------------|----------|-----------------------|---------------------|------------------------|
| 47019 | 3/8 | 5/16 Hex | 17 | 12 | 1 |
| 47020 | 7/16 | 5/16 Hex | 17 | 12 | 1 |
| 47021 | 1/2 | 5/16 Hex | 17 | 12 | 1 |
| 47022 | 9/16 | 7/16 Hex | 17 | 12 | 1 |
| 47023 | 5/8 | 7/16 Hex | 17 | 12 | 1 |
| 47024 | 11/16 | 7/16 Hex | 17 | 12 | 1 |
| 47025 | 3/4 | 7/16 Hex | 17 | 12 | 1 |
| 47026 | 13/16 | 7/16 Hex | 17 | 12 | 1 |
| 47027 | 7/8 | 7/16 Hex | 17 | 12 | 1 |
| 47028 | 15/16 | 7/16 Hex | 17 | 12 | 1 |
| 47029 | 1 | 7/16 Hex | 17 | 12 | 1 |
| 47030 | 1 1/16 | 7/16 Hex | 17 | 12 | 1 |
| 47031 | 1 1/8 | 7/16 Hex | 17 | 12 | 1 |
| 47032 | 1 3/16 | 7/16 Hex | 17 | 12 | 1 |
| 47033 | 1 1/4 | 7/16 Hex | 17 | 12 | 1 |
| 47034 | 1 5/16 | 7/16 Hex | 17 | 12 | 1 |
| 47035 | 1 3/8 | 7/16 Hex | 17 | 12 | 1 |
| 47036 | 1 1/2 | 7/16 Hex | 17 | 12 | 1 |

Heavy Duty Ship Auger Bits – Short

- Designed for deep boring in nail-embedded wood.
- Well-suited for use where nails or other foreign materials may be present.
- Steeper rake angle to prevent tip damage when hitting nails.
- Stronger than standard power ship augers.
- Features hollow center twist for fast, continuous chip flow
- Resharpenable single-cutter head.
- 15" twist length for deep boring.

| Item No. | Diameter Inches | Shank | Overall Length Inches | Twist Length Inches | Standard Shipping Pack |
|----------|-----------------|----------|-----------------------|---------------------|------------------------|
| 47505 | 1/2 | 5/16 Hex | 8 | 5 | 1 |
| 47506 | 9/16 | 7/16 Hex | 8 | 5 | 1 |
| 47507 | 5/8 | 7/16 Hex | 8 | 5 | 1 |
| 47508 | 11/16 | 7/16 Hex | 8 | 5 | 1 |
| 47509 | 3/4 | 7/16 Hex | 8 | 5 | 1 |
| 47510 | 13/16 | 7/16 Hex | 8 | 5 | 1 |
| 47511 | 7/8 | 7/16 Hex | 8 | 5 | 1 |
| 47512 | 15/16 | 7/16 Hex | 8 | 5 | 1 |
| 47513 | 1 | 7/16 Hex | 8 | 5 | 1 |
| 47514 | 1 1/8 | 7/16 Hex | 8 | 5 | 1 |
| 47515 | 1 1/4 | 7/16 Hex | 8 | 5 | 1 |
| 47516 | 1 3/8 | 7/16 Hex | 8 | 5 | 1 |
| 47517 | 1 1/2 | 7/16 Hex | 8 | 5 | 1 |

Anailator® Auger Bits

To order **CLICK HERE**

**Anailator®
Auger Bits**



Heavy Duty Ship Auger Bits – Long

| Item No. | Diameter Inches | Shank | Overall Length Inches | Twist Length Inches | Standard Shipping Pack |
|----------|-----------------|----------|-----------------------|---------------------|------------------------|
| 47519 | 3/8 | 5/16 Hex | 18 | 15 | 1 |
| 47520 | 7/16 | 5/16 Hex | 18 | 15 | 1 |
| 47521 | 1/2 | 5/16 Hex | 18 | 15 | 1 |
| 47522 | 9/16 | 7/16 Hex | 18 | 15 | 1 |
| 47523 | 5/8 | 7/16 Hex | 18 | 15 | 1 |
| 47524 | 11/16 | 7/16 Hex | 18 | 15 | 1 |
| 47525 | 3/4 | 7/16 Hex | 18 | 15 | 1 |
| 47526 | 13/16 | 7/16 Hex | 18 | 15 | 1 |
| 47527 | 7/8 | 7/16 Hex | 18 | 15 | 1 |
| 47528 | 15/16 | 7/16 Hex | 18 | 15 | 1 |
| 47529 | 1 | 7/16 Hex | 18 | 15 | 1 |
| 47530 | 1 1/16 | 7/16 Hex | 18 | 15 | 1 |
| 47531 | 1 1/8 | 7/16 Hex | 18 | 15 | 1 |
| 47532 | 1 3/16 | 7/16 Hex | 18 | 15 | 1 |
| 47533 | 1 1/4 | 7/16 Hex | 18 | 15 | 1 |
| 47534 | 1 5/16 | 7/16 Hex | 18 | 15 | 1 |
| 47535 | 1 3/8 | 7/16 Hex | 18 | 15 | 1 |
| 47536 | 1 1/2 | 7/16 Hex | 18 | 15 | 1 |

Spade Bits

Spade Bits

Features:

- Unique 15° Chisel Edge™ design with more angle to dig into wood.
- Iso-Temp® proprietary toughening process provides greater durability.
- Angled Spurs cut a cleaner, smoother hole with less binding, blasting through wood knots that standard bits just can't handle!
- Skin card packaged.

UltraBore™ Spade Bits – 6"

| Item No. | Diameter Inches | Shank Diameter | Standard Shipping Pack |
|----------|-----------------|----------------|------------------------|
| 43847 | 1/4* | 3/16 | 6 |
| 43848 | 5/16* | 3/16 | 6 |
| 43849 | 3/8* | 1/4 | 6 |
| 43850 | 7/16* | 1/4 | 6 |
| 43851 | 1/2* | 1/4 | 6 |
| 43852 | 9/16** | 1/4 | 6 |
| 43853 | 5/8** | 1/4 | 6 |
| 43854 | 11/16** | 1/4 | 6 |
| 43855 | 3/4** | 1/4 | 6 |
| 43856 | 13/16** | 1/4 | 6 |
| 43857 | 7/8** | 1/4 | 6 |
| 43858 | 15/16** | 1/4 | 6 |
| 43859 | 1** | 1/4 | 6 |
| 43860 | 1 1/8** | 1/4 | 6 |
| 43861 | 1 1/4** | 1/4 | 6 |
| 43862 | 1 3/8** | 1/4 | 6 |
| 43863 | 1 1/2** | 1/4 | 6 |

*With angled spurs

**Without angled spurs



To order [CLICK HERE](#)

Wood Boring Bits – Contractor Series

UltraBore™ Bulk Spade Bits – 6"

| Item No. | Diameter Inches | Shank Diameter | Standard Shipping Pack |
|----------|-----------------|----------------|------------------------|
| 43823 | 5/8 | 1/4 | 300 |
| 43825 | 3/4 | 1/4 | 300 |
| 43826 | 13/16 | 1/4 | 300 |
| 43827 | 7/8 | 1/4 | 300 |
| 43829 | 1 | 1/4 | 300 |
| 43830 | 1 1/8 | 1/4 | 200 |

UltraBore™ Extra Length Spade Bits – 16"

- Ideal for extra reach applications.
- Skin card package.
- Positive grip shank fits all portable drills (not recommended for drill presses).

| Item No. | Diameter Inches | Shank Diameter | Standard Shipping Pack |
|----------|-----------------|----------------|------------------------|
| 47080 | 3/8 | 1/4 | 6 |
| 47082 | 1/2 | 1/4 | 6 |
| 47084 | 5/8 | 1/4 | 6 |
| 47086 | 3/4 | 1/4 | 6 |
| 47088 | 7/8 | 1/4 | 6 |
| 47090 | 1 | 1/4 | 6 |

UltraBore™ Spade Bit Sets

- Packaged in a reusable vinyl pouches.

| Item No. | No. of Pieces | Spade Bit Sizes (Inches) Included | Standard Shipping Pack |
|----------|---------------|--|------------------------|
| 43845 | 6 | 3/8, 1/2, 5/8, 3/4, 7/8, 1 | 1 |
| 43846 | 13 | 1/4, 5/16, 3/8, 7/16, 1/2, 9/16, 5/8, 11/16, 3/4, 13/16, 7/8, 15/16, 1 | 1 |

Accessories

| Item No. | Description | Standard Shipping Pack |
|----------|---------------|------------------------|
| 43843 | 12" Extension | 1 |
| 42409 | 1/8" Hex Key | 1 |

Wood Boring Bits

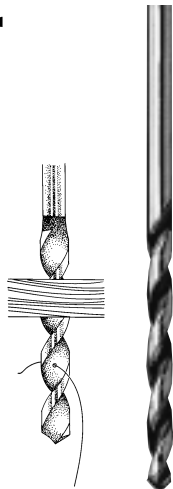
6-piece UltraBore™ Spade Bit Set



13-piece UltraBore™ Spade Bit Set



Bell Hanger Drill Bits



Applications:

- Boring action is fast, clean and smooth through wood, plastics, and metal.

Features:

- Manufactured from carbon bearing steel.

- Heat-treated for extra hardness in the cutting head shank.
- Hole in the middle flute makes pulling wires during drilling easy.
- Relief grinding assures quick chip clearance without clogging or binding.
- Bulk packed.

Bell Hanger Drill Bits

| Item No. | Sizes Inches | Standard Shipping Pack |
|----------|--------------|------------------------|
| 94928 | 1/4 x 12 | 6 |
| 94929 | 3/8 x 12 | 6 |
| 94930 | 1/4 x 18 | 6 |
| 94931 | 3/8 x 18 | 6 |
| 94932 | 1/4 x 24 | 6 |
| 94933 | 3/8 x 24 | 6 |