



# S Bag Filter



# S Bag Filter



## Features

---

***High Speed Routing • Sawing • Cutting  
Single 'Cell' Manufacturing • After-Filters***

Suitable for collection of many different types of dust.



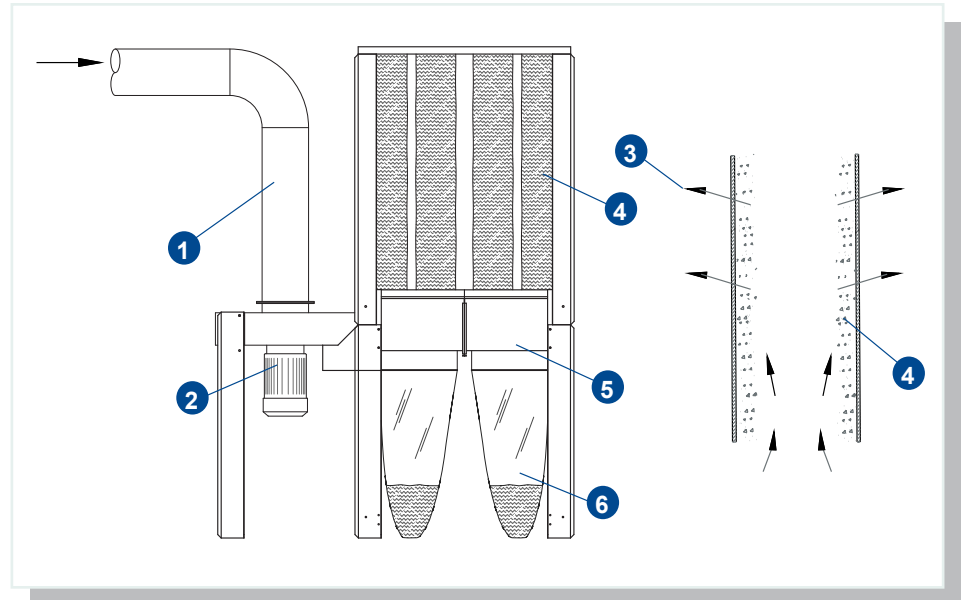
***1,500 - 6,000 CFM***

- Three phase (single phase option)
- Easy installation
- Small footprint
- Multiple U.S. assembly points
- Quiet operation
- Bag material collection (barrel option.)
- Patented SuperBags (99.9% efficiency)

# How It Works

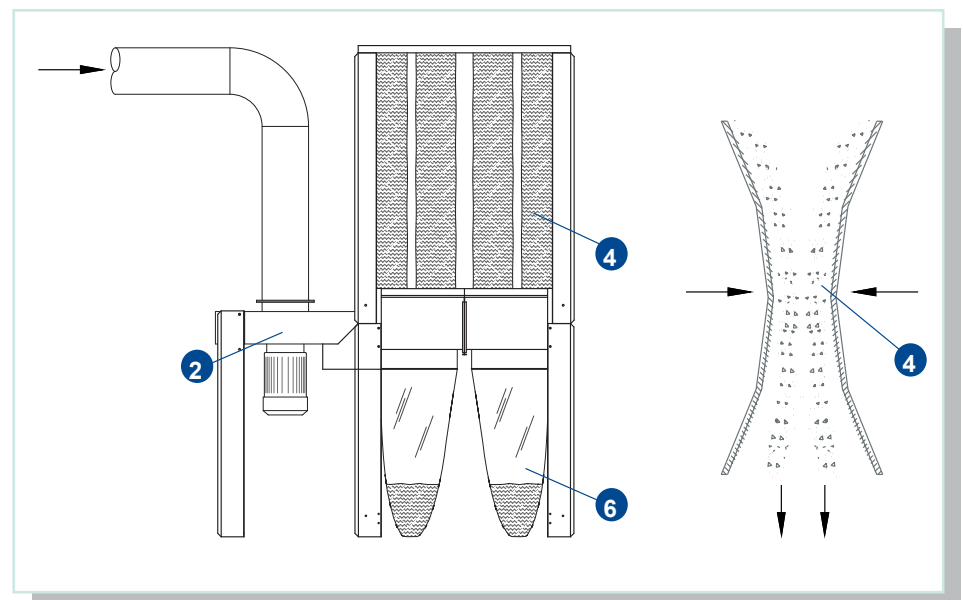
## ...during normal operation

1. During normal operation, the dust laden air from the plant travels down the supply duct **1**
2. The dirty air then enters the COMBIFAB **2** material handling fan
3. The dust then enters the hopper section **5** of the filter
4. As air slows down within the hopper, the heavier dust particles fall down into the inside of the collection bags **6**
5. The remaining dust then travels up into the inside of the filter bags **4**
6. The air, which originated from the plant, is now clean and passes through the filter bag into the surrounding atmosphere **3**



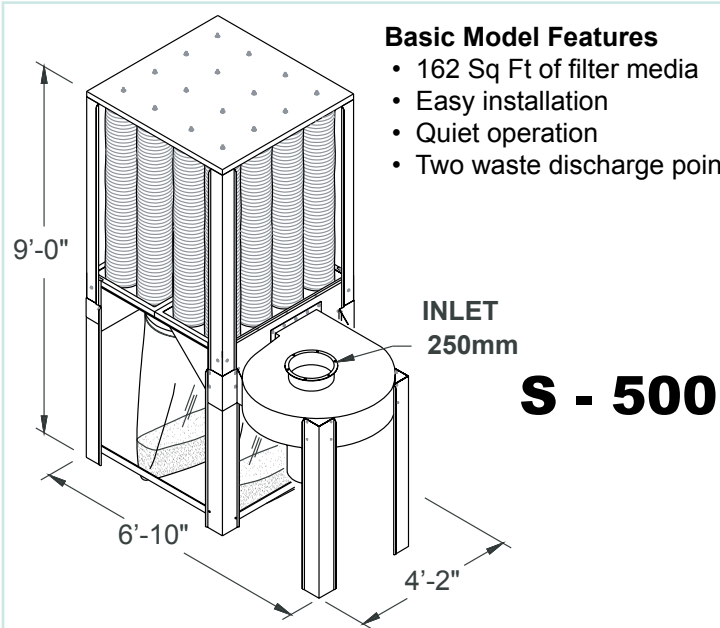
## ...while cleaning

1. The S Series may only clean "off-line", when the COMBIFAB fan **2** has stopped rotating
2. The S Series is cleaned by applying physical force to the outside of the filter bag **4** which, in effect, shakes them
3. The dust cake, which hangs on the inside of the filter bag, falls into the hopper section and then into the collection bags below **6**



# S Bag Filter

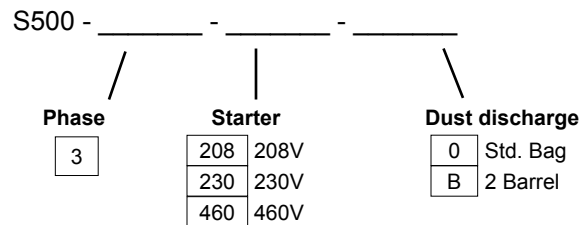
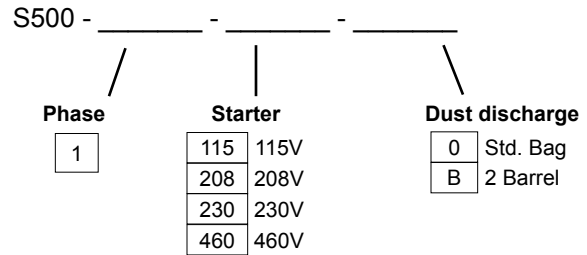
## Bag Filter



- Basic Model Features**
- 162 Sq Ft of filter media
  - Easy installation
  - Quiet operation
  - Two waste discharge points

- Basic Model Features**
- Qty (1) 5 HP, 1750 RPM, TEFC motor
  - Qty (16) Beane material filter bags
  - Qty (2) plastic waste collection bag
  - Qty (2) clamps for easy removal of waste bags

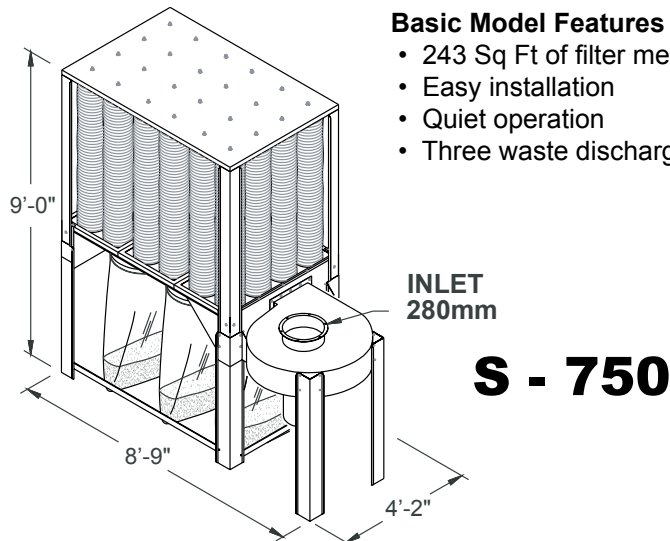
**Model Number Selection:**



**CFM RANGE**

8.0" Wg	7.5" Wg	5.0" Wg
1500 CFM	2000 CFM	3000 CFM

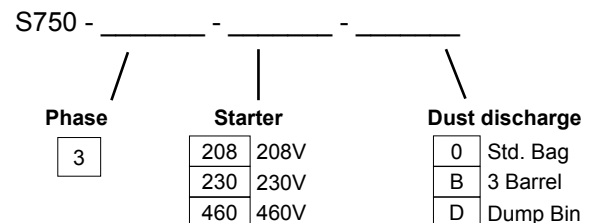
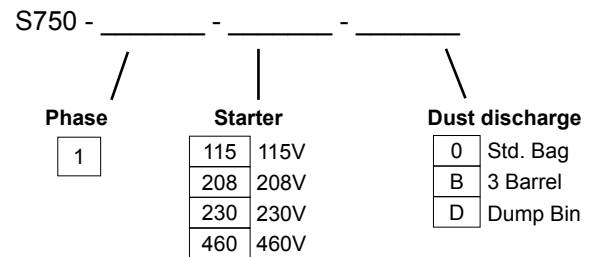
Shipping Weight: 675lbs.



- Basic Model Features**
- 243 Sq Ft of filter media
  - Easy installation
  - Quiet operation
  - Three waste discharge points

- Basic Model Features**
- Qty (1) 7.5 HP, 1750 RPM, TEFC motor
  - Qty (24) Beane material filter bags
  - Qty (3) plastic waste collection bag
  - Qty (3) clamps for easy removal of waste bags

**Model Number Selection:**

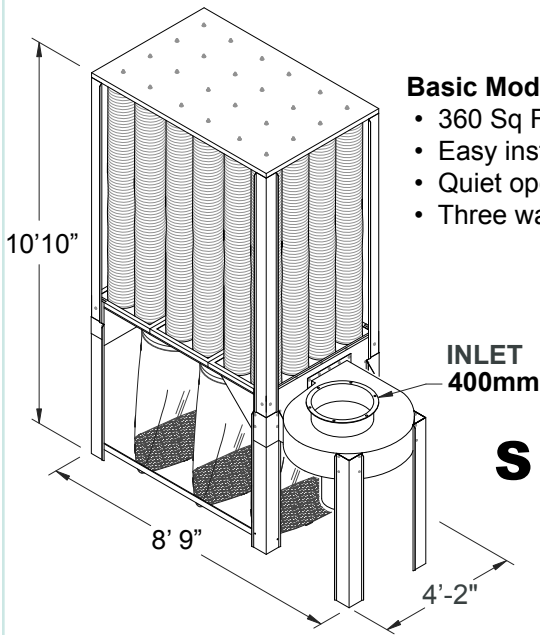


**CFM RANGE**

10.0" Wg	8.0" Wg	6.0" Wg
2500 CFM	3500 CFM	4500 CFM

Shipping Weight: 900lbs.

# Bag Filter



### Basic Model Features

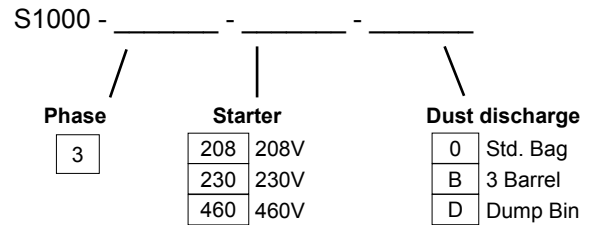
- 360 Sq Ft of filter media
- Easy installation
- Quiet operation
- Three waste discharge points

### Basic Model Features

- Qty (1) 10 HP, 1750 RPM, TEFC motor
- Qty (24) Beane material filter bags
- Qty (3) plastic waste collection bag
- Qty (3) clamps for easy removal of waste bags

**S - 1000**

### Model Number Selection:



### CFM RANGE

8.0" Wg	7.0" Wg	6.0" Wg
4000 CFM	5000 CFM	6000 CFM

Shipping Weight: 950lbs.

## Collector up and running in less than 1 hour

1



2



**EASY AS 1-2-3**

3



# S Bag Filter

## Before

## The Dantherm Difference



# After



## World wide sales companies



## The world leader in air pollution control

Dantherm Filtration focuses on individual solutions for individual customer needs. We benefit from the experience and expertise of more than 30,000 air cleaning systems. And we deliver unbeatable reliability, low energy consumption and compliance

with all mandatory requirements for a wide range of applications in many different industries all over the world.

Dantherm Filtration is part of the Dantherm Group, a leader in industrial air management, offering

industrial cooling, heating, dehumidification, ventilation, air filtration and mobile air management. The group has 3,000 employees and operates globally with production and sales companies in Europe, the US and Asia.



102 Transit Ave.  
Thomasville, NC 27360  
Phone: 800 533 5286  
Fax: 336 821 0890  
E-Mail: [info.us@danthermfiltration.com](mailto:info.us@danthermfiltration.com)